

RAINWATER HARVESTING



BRAC SYSTEM RWH-4200

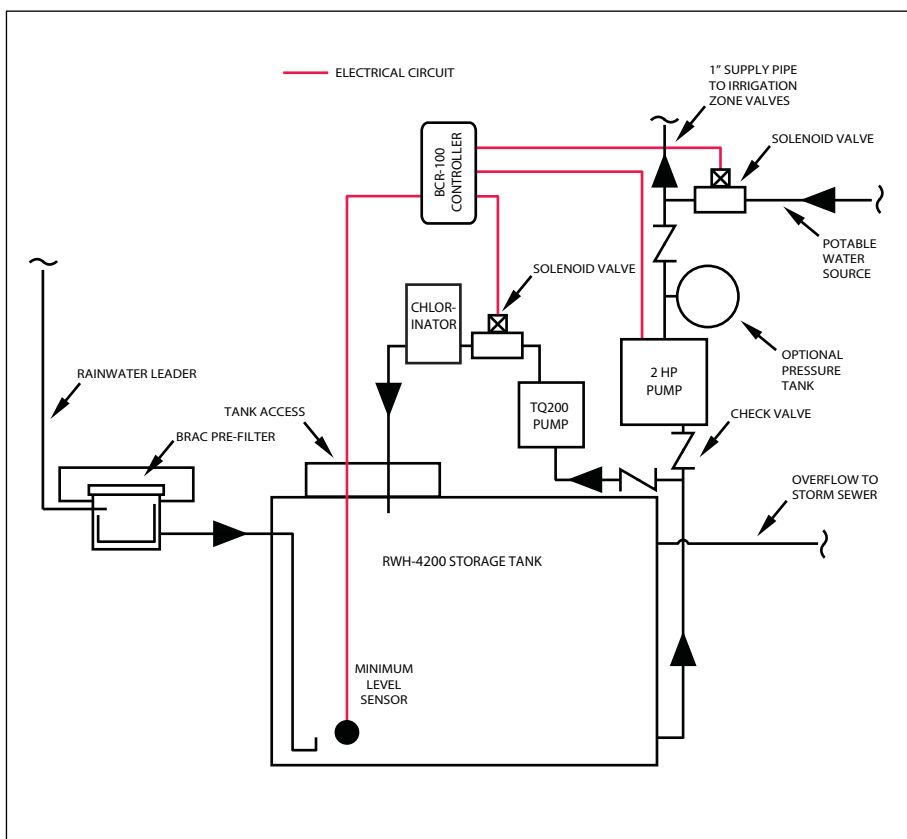
The Brac Systems line of Rainwater Harvesting systems have been designed and constructed using the highest quality components to create a reliable system that will provide many years of trouble free use. The large capacity storage tanks are made from High Density PolyEthylene (HDPE) and are one of the resistant on the market today. Its seamless design makes it air and water tight eliminating the risk of groundwater infiltration. The sophisticated rainwater system is equipped with a disinfection process that will effectively eliminate all microbiological contamination of the rainwater for an infinite period while waiting for the "free" water to be used. Other leading rainwater harvesting systems do not have disinfection treatments like the Brac Systems and therefore are susceptible to microbiological contamination.

ECONOMIC AND ENVIRONMENTAL ADVANTAGES

a roof area of only 2,000 square feet can provide approximately 1200 US gallons of water during a one-inch rainfall. Only one percent of the potable water we use every day is used for personal consumption. The rest we use to clean, flush toilets, shower, do laundry, water the lawn, irrigate gardens, wash cars, fill swimming pools, and complete other household chores.

SPECIFICATIONS

- Capacity: 4200 Litres / 1108 US Gallons
- Tank Height: 133 cm / 52 3/8"
- Tank Length: 378 cm / 148 3/4"
- Tank Width: 125 cm / 49 1/4"
- Tank Weight: 230 kg / 510 lbs
- Main Pump Size: 2 hp
- Chlorination Pump Size: 1/4 hp



With a Brac Systems Rainwater Harvesting System you can:

- Conserve water
- Reduce costs
- Save money

Installing a Brac Systems Rainwater Harvesting System is:

- Good for the planet
- Good for the environment
- Good for you

